

SRFvh 5511

Laboratory/Pharmacy refrigerator with
convection cooling

Perfection



LIEBHERR

Freestanding

LIEBHERR

SRFvh 5511

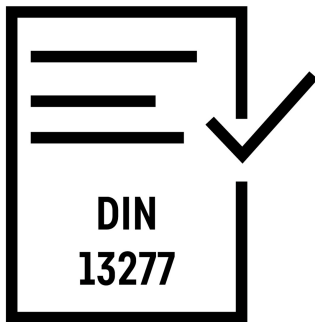
Laboratory/Pharmacy refrigerator with convection cooling

Perfection



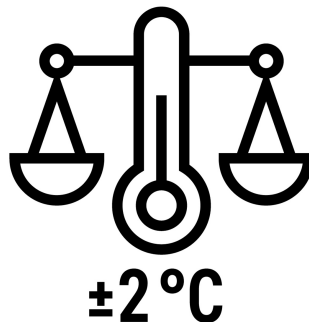
| | |
|---------------------------------|---|
| Gross/net capacity | 588/440 l |
| Ext. dimensions in mm (w/d/h) | 747/769/1793 |
| Int. dimensions in mm (w/d/h) | 606/536/1460 |
| Energy consumption in 365 days | 360 kWh |
| Ambient temperature range | +10 °C to +35 °C |
| Heat output | 475 kJ/h |
| Refrigerant | R 600a |
| Frequency / voltage | 50 Hz / 220-240 V~ |
| Cooling system | forced-air |
| Defrosting | automatic |
| Temperature range | +3 °C to +16 °C |
| Gradient / max. fluctuation | 3.3 °C / 2.0 °C |
| Housing material/colour | steel / white |
| Door material | glass |
| Liner Material | commercial grade moulded polystyrol |
| Type of Control | 2.4" touch & swipe colour display |
| Alarm in case of malfunction | visual and audible |
| Power failure alarm | immediately upon power failure for at least 12 hrs |
| volt-free alarm contact | yes |
| Interface | WiFi/LAN |
| Data logger | integrated, USB interface |
| Interior light | vertical LED light strip recessed in left wall with separate switch |
| Adjustable Shelving | 9 |
| Shelf material | wire shelves plastic-coated |
| Usable shelf area in mm (w / d) | 606 / 536 |
| Shelf loading | 60 kg |
| Maximum total load | 300 kg |
| Castors | castors with brake at the front, fixed castors at the rear |
| Handle | antimicrobial handle with opening mechanism |
| Access ports | 1 x Ø 10 mm |
| Type of lock | mechanical |
| Door hinges | right, reversible on site |
| Gross/net weight | 111/98 kg |

Features



DIN 13277 compliant

Laboratory and pharmacy refrigerators from Liebherr meet all the necessary features and performance criteria to fully comply with DIN 13277. DIN 13277 defines the requirements and test specifications for refrigerators and freezers used in laboratories and for storing medicinal products.



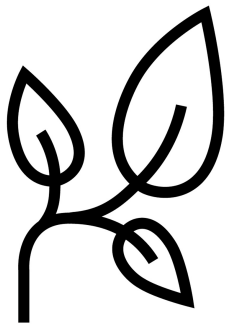
±2 °C temperature stability

Temperature fluctuations must be minimal to ensure that the quality of sensitive substances is preserved. Liebherr appliances have an impressive maximum deviation of just ±2 °C from the set temperature. This not only maintains the storage climate, but also the value of your stored goods.



Easy to clean interior

The plastic inside container is made of polystyrene: a fully recyclable, robust, and odourless plastic. Manufactured seamlessly from one piece, it has no hidden dirt traps and the large corner radii can be cleaned quickly and easily. The perfect combination of sustainability and hygiene.



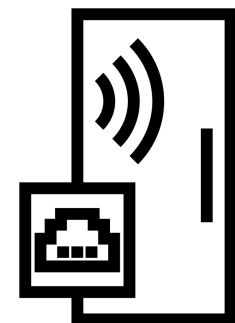
Ultraefficient

Energy-efficient refrigerators and freezers help with ever increasing electricity prices. Liebherr fully utilises the savings potential of every component – from the compressor to the seal, to the lighting and electronics. The ultra-efficient appliances in the Perfection series for example demonstrates how this has a positive effect on your overall operating costs.



+2 °C SafetyDevice

If the temperature in the appliance drops below +2 °C due to a malfunction, the +2 °C SafetyDevice function takes control, which keeps the temperature stable and activates an alarm. Sensitive substances are protected from freezing and you are notified immediately.



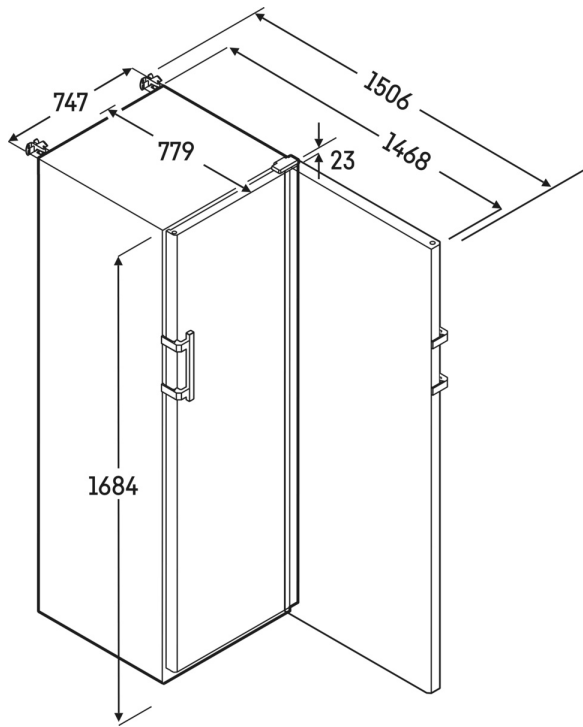
Integrated WiFi/LAN interface

Connect and go: The appliance can be easily networked with external systems, such as SmartMonitoring from Liebherr via the integrated WiFi and LAN interface. Thanks to the digital monitoring solution, the storage temperature is controlled and documented via the interface in an effortless, safe, and convenient way.

Freestanding SRFvh 5511

LIEBHERR

Technical drawing



Products and their details are staged for advertising purposes. Whilst every effort is made to ensure all specifications and information in this flyer are accurate, Liebherr reserves the right to make changes without notification. Where actual appliance measurements, specifications, and ratings are crucial, we recommend that the actual appliance installation instructions that accompany each appliance be checked. Liebherr will not be liable for any damage. (28.11.2023)



[home.liebherr.com](https://www.home.liebherr.com)