

# LKUv 1613

Laboratory/Pharmacy refrigerator with Comfort controller



**LIEBHERR**

Freestanding

**LIEBHERR**

## LKUv 1613

Laboratory/Pharmacy refrigerator  
with Comfort controller



LED

Gross/net capacity	152/132 litre
Ext. dimensions in mm (w/d/h)	601/618/820
Int. dimensions in mm (w/d/h)	440/435/670
Energy consumption in 365 days	369 kWh
Ambient temperature range	+10 °C to +35 °C
Refrigerant	R 600a
Connection Rating	1.0 A
Frequency / voltage	50 Hz / 220-240 V~
Cooling system	forced-air
Defrosting	automatic
Temperature range	+3 °C to +16 °C
Housing material/colour	steel/white
Door material	Insulated glazed door
Liner Material	moulded polystyrol white
Type of Control	electronic controller
Temperature display	external digital
Interior light	LED
Alarm in case of malfunction	optisch und akustisch
Interface	RS 485
volt-free alarm contact	yes
Adjustable Shelving	3
Shelf loading	45 kg
Lock	fitted
Self-closing door	yes
Door hinges	right, reversible
Insulation	40 mm
Gross/net weight	45/43 kg
EAN-Nr.	9005382263457

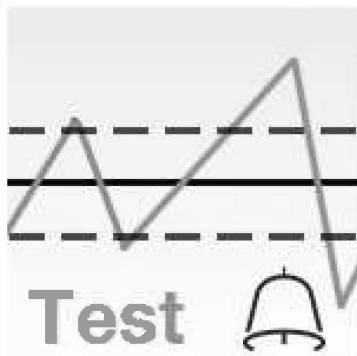
## Features

---



### Forced air cooling

Highly efficient fans cool freshly stored produce quickly and maintain an even refrigeration temperature throughout the interior.



### Alarm test function

This test function can be used to check whether an internally or externally connected alarm system is functioning correctly. The appliance's refrigeration performance is not affected by this test.



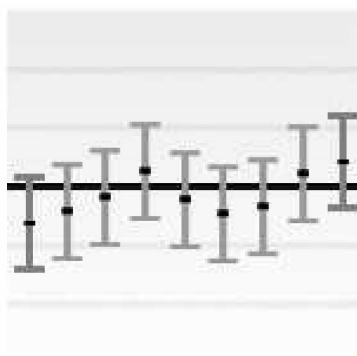
### Reversible door hinges (left/right)

Liebherr appliances are factory-fitted with door hinges on the right. The ability to change the hinge side allows the appliance to be tailored to individual requirements and optimally positioned.



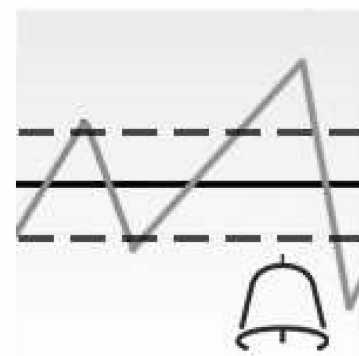
### Environmentally friendly refrigerants

Liebherr appliances are optimised for maximum energy efficiency and low operating costs. We only use the natural and environmentally-friendly refrigerants R 600a and R 290. When used with highly efficient compressors, these are extraordinarily efficient and, with their low global warming potential, also future-proof.



### Temperature stability and consistency EN 60068-3

All laboratory refrigerators and freezers are tested at the state-of-the-art Liebherr development facilities according to procedure EN 60068-3 for measuring temperature stability. This involves measuring the temperature at nine different points in the appliance interiors.



### Temperature alarm

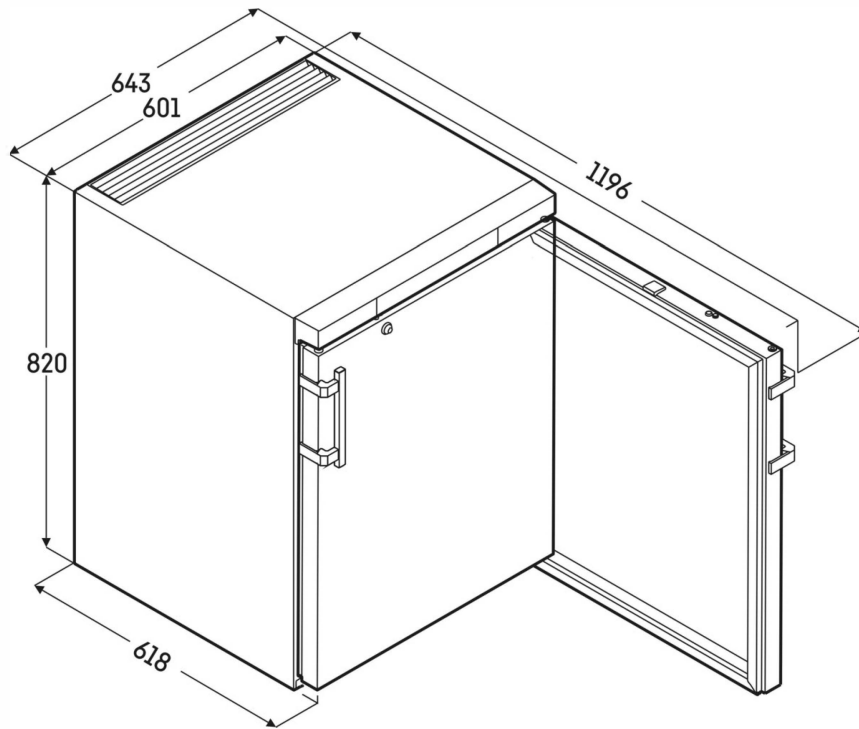
The integrated temperature alarm indicates if the lower or upper alarm thresholds have been breached. It uses both acoustic and visual signals to provide maximum security for goods that have been stored.

Freestanding LKUv 1613

**LIEBHERR**

# Technical drawing

---



Products and their details are staged for advertising purposes. Whilst every effort is made to ensure all specifications and information in this flyer are accurate, Liebherr reserves the right to make changes without notification. Where actual appliance measurements, specifications, and ratings are crucial, we recommend that the actual appliance installation instructions that accompany each appliance be checked. Liebherr will not be liable for any damage. (28.11.2023)



[home.liebherr.com](https://www.home.liebherr.com)